

APEX Motor Corp.

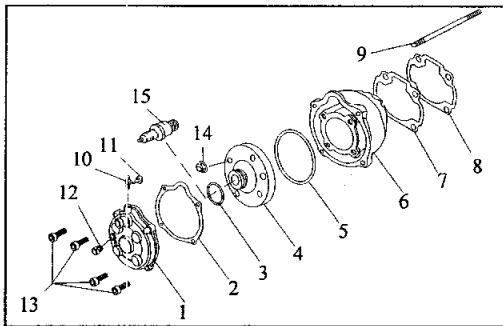
APEX MOTOR CORP.

A2C4L Engine Parts List (2-Stroke 90cc Liquid Cooled)

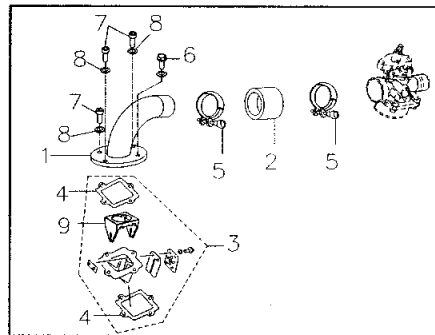
APEX Motor Corp.

Content

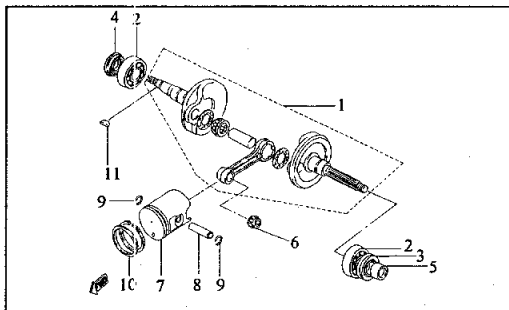
Cylinder & Cylinder 4



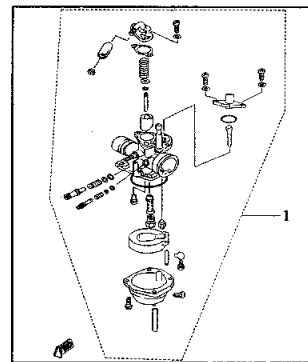
Air Cleaner & Reed Valve 7



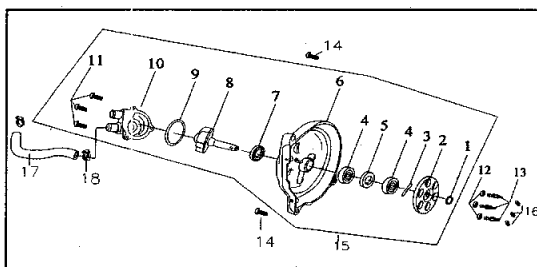
Piston & Crankshaft 5



Carburetor 8



Liquid Pump Ass'y 6

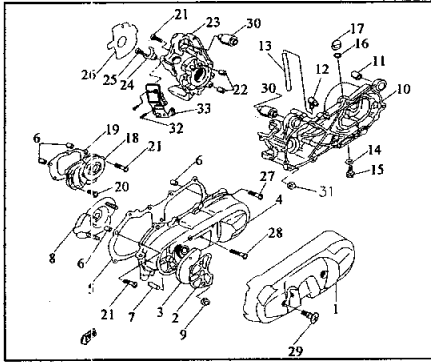


APEX Motor Corp.

Content

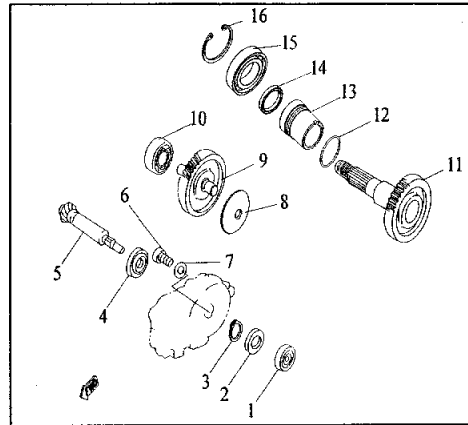
Crankcase

9~10



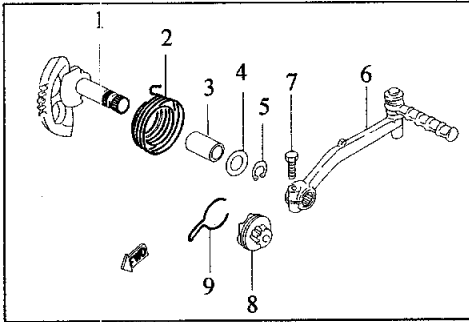
Transmission

13



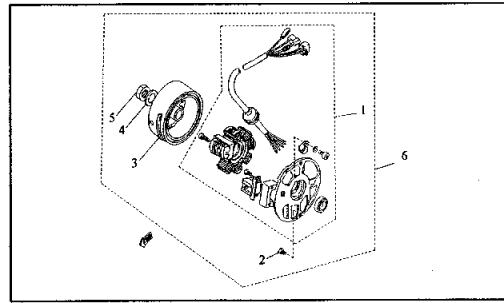
Starter

11



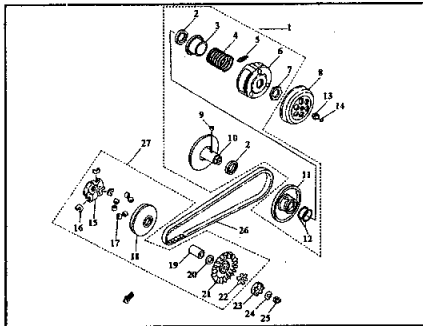
Generator

14



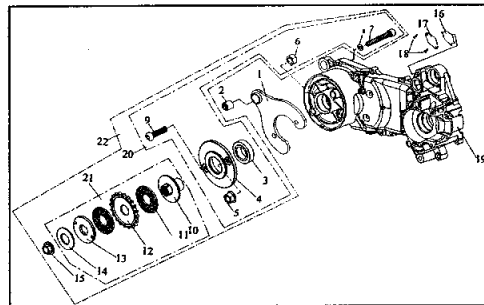
Clutch

12



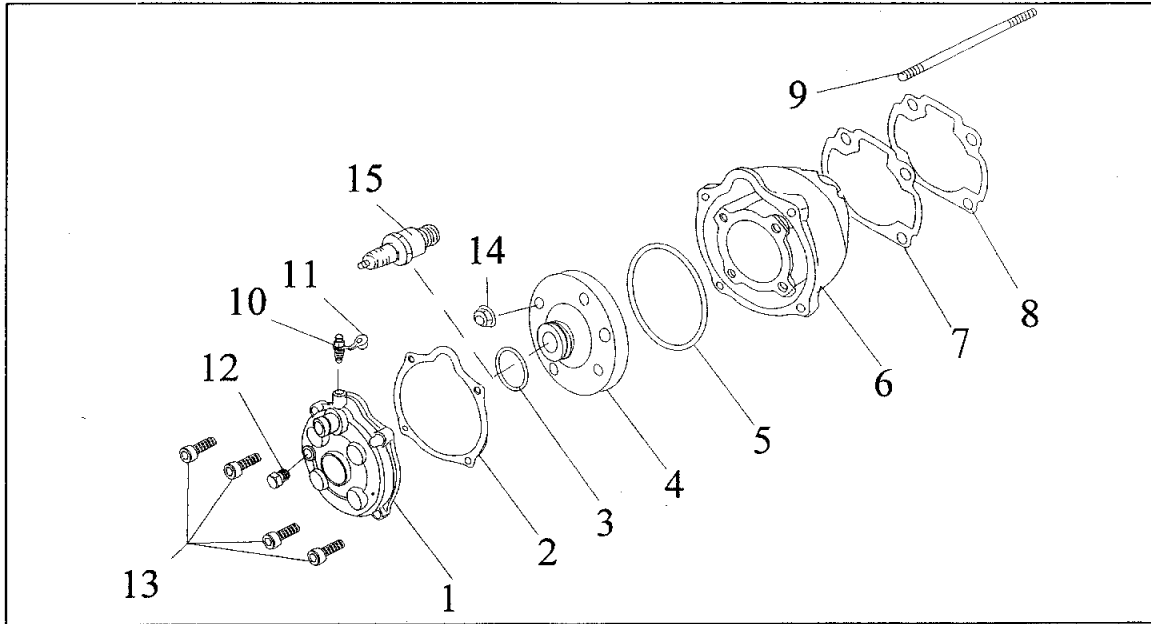
Crankcase Bracket

15



APEX Motor Corp.

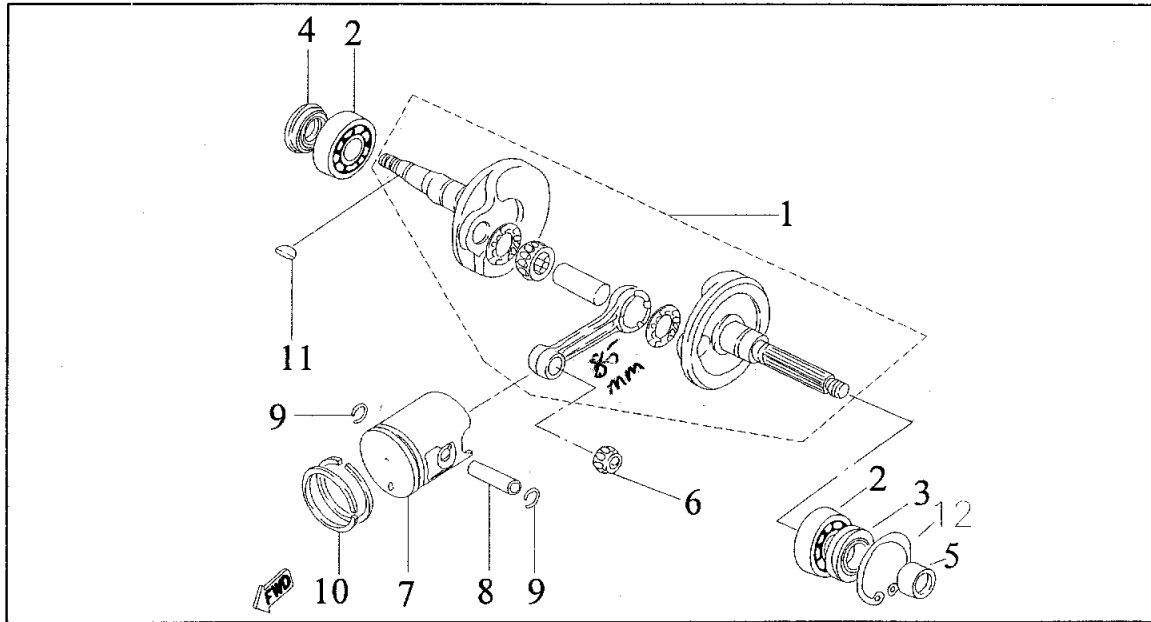
E1 Cylinder & Cylinder Head



Item	Part Number	Part Name	Spec.	Qt'y
1	12210-A2DL-000	Head Cover, Cyl.		1
2	12251-A2DL-000	Gasket, Head Cover		1
3	91300-240025	Ring, Oil	24*2.4	1
4	12200-A2C4L-000	Head, Cylinder		1
5	91300-560020	Ring, Oil	56*1.9	1
6	12100-A2C4L-00A	Cylinder	52mm/77-0.77mm	1
7	12191-A2C4-000	Gasket, Cylinder	0.5mm	1
8	12191-A2C4-00A	Gasket, Cylinder	0.8mm	1
9	90800-07113	Bolt, Stud	M7*113	4
10	15872-A2DL-000	Bolt, Leaking		1
11	15873-A2DL-000	Cap, Rubber		1
12	93600-18	Plug	PT 1/8-24/8L	1
13	91000-06015	Hex. Socket Bolt	M6*P1.0*15	4
14	94000-07100	Hex. Acorn Washer Face Nut	M7x1.0	4
15	98069-C92LS	Plug, Spark	C92LS	1

APEX Motor Corp.

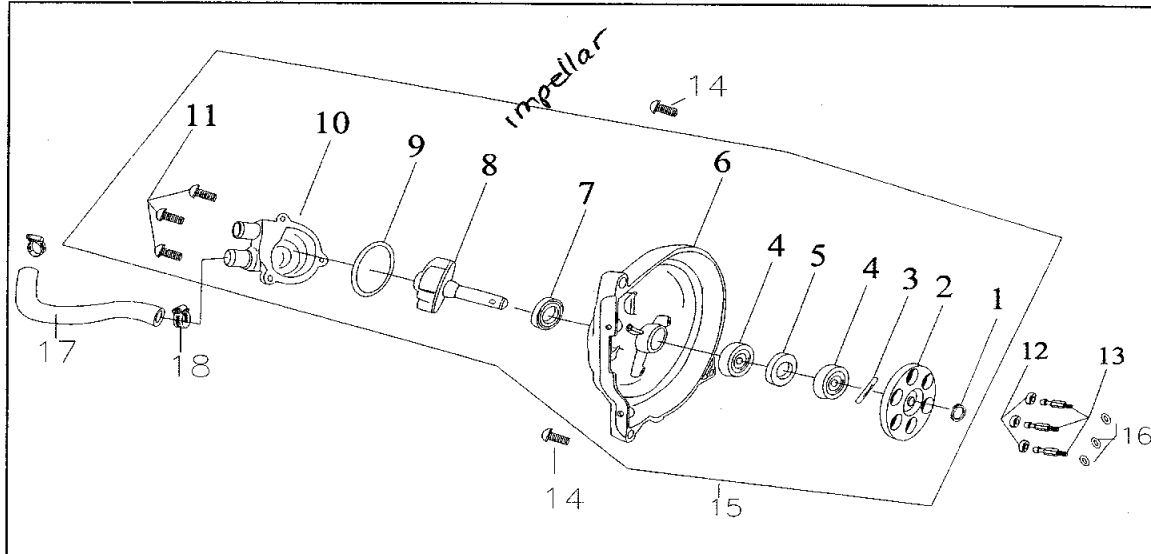
E2 Piston & Crankshaft



Item	Part No.	Part Name	Spec.	Q'ty
1	13000-A2C4-000	Crankshaft Ass'y	S=42mm	1
2	96200-6204C3	Ball Bearing, Crankshaft	6204C3	2
3	91200-20428	Oil Seal, L. Crank	20x42/43x8/9	1
4	91200-20306	Oil Seal, R. Crank	20x30/33.5x6	1
5	13200-A2C4-00A	Collar	16x21x18	1
6	96110-KBK12	Bearing, Needle	12x15x16.6	1
7	13300-A2D-000	Piston (std.)	52mm	1
8	13400-A2C4-000	Pin, Piston	8x12x40	1
9	13410-A2C4-000	Clip, Piston Pin		2
10	13310-A2D-000	Rings, Piston (std.)	52mm	1
11	13010-A2C4-000	Key, Woodruff	3x13	1
12	90500-RTW42	Circlip	IRTW-42	1

APEX Motor Corp.

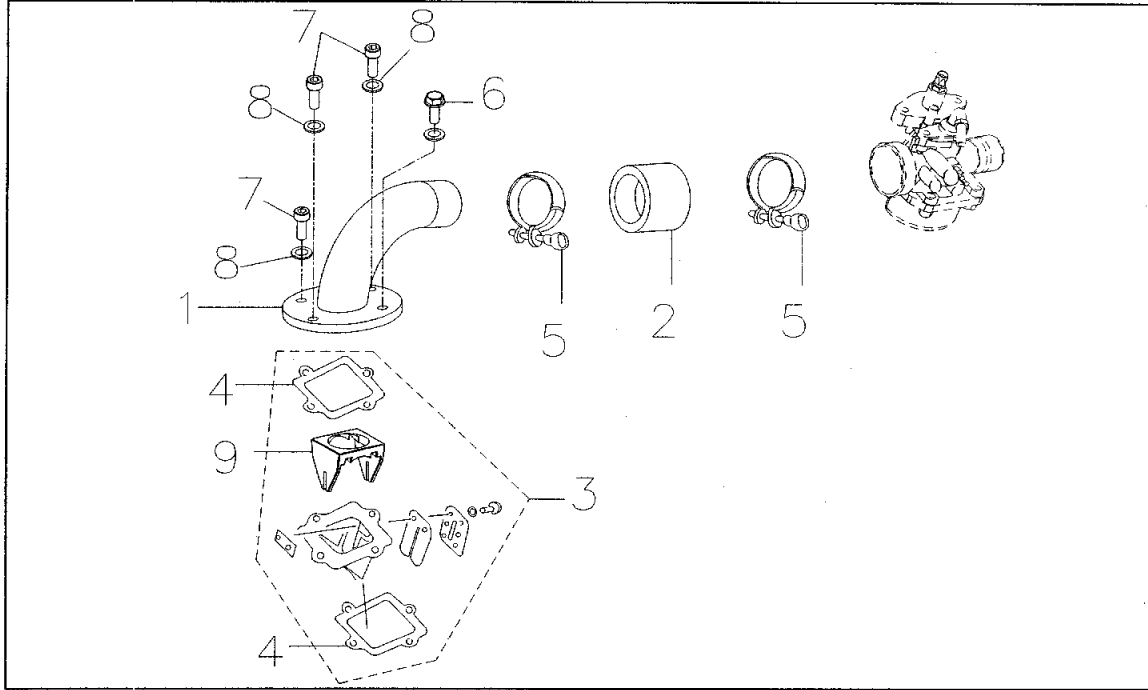
E3 Liquid Pump Ass'y



Item	Part Number	Part Name	Spec.	Qty
1	90601-S08	Cir. Clip, External	S-8	1
2	15211-A2DL-000	Drive Wheel, Pump		1
3	96220-030198	Pin	3x19.8	1
4	96100-608LLU-C3	Ball, Bearing	608LLU-C3	2
5	15216-A2DL-000	Collar	16*21.8*4.5	1
6	15212-A2DL-000	Body, Pump		1
7	91204-101804	Seal, Oil	10*18*4	1
8	15213-A2DL-000	Rotor Ass'y, Pump		1
9	91300-525020	Ring, Oil	52.0*2.0	1
10	15215-A2DL-000	Cap, Pump		1
11	91000-05020	Hex, Socket Bolt	M5x20	3
12	31130-A2DL-000	Plug, Rubber		3
13	15875-A2DL-000	Bolt, Drive Wheel		3
14	91000-06025	Hex, Socket Bolt	M6x25	2
15	15200-A2DL-000	Pump Ass'y, Liquid		1
16	90426-061310	Washer, Plate	6.5x13x1.0	3
17	15233-162421	Hose B, Liquid	L=210mm	1
18	16411-A2DL-000	Clamp, Hose		2

APEX Motor Corp.

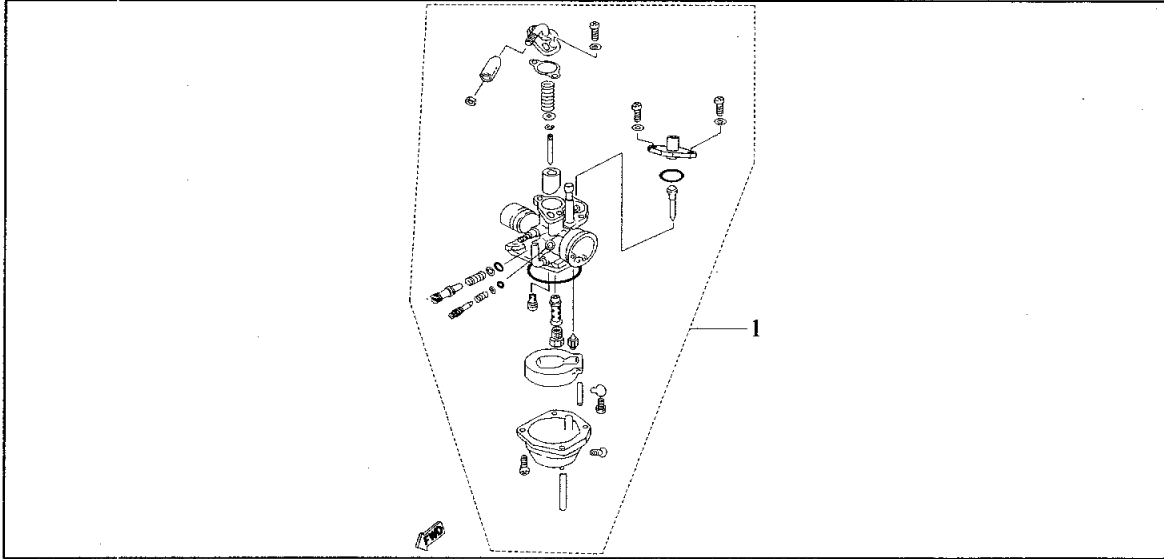
E4 Air Cleaner & Reed Valve



Item	Part No.	Part Name	Spec.	Q'ty
1	16410-A2C4-00C	Manifold, Intake		1
2	16413-A2C4-000	Connector, Rubber		1
3	14710-A2C4-00A	Reed Valve Ass'y		1
4	14711-A2C4-000	Gasket, Reed Valve		2
5	16411-A2C4-00A	Clamp	1-3/4"	2
6	92100-06020-08B	Hex. Washer Face Bolt	M6x20	1
7	91000-06020-05B	Hex. Socket Bolt	M6x20	3
8	SW-06510B	Washer, Spring		4
9	14713-A2C4-000	Spacer	φ26mm	1

APEX Motor Corp.

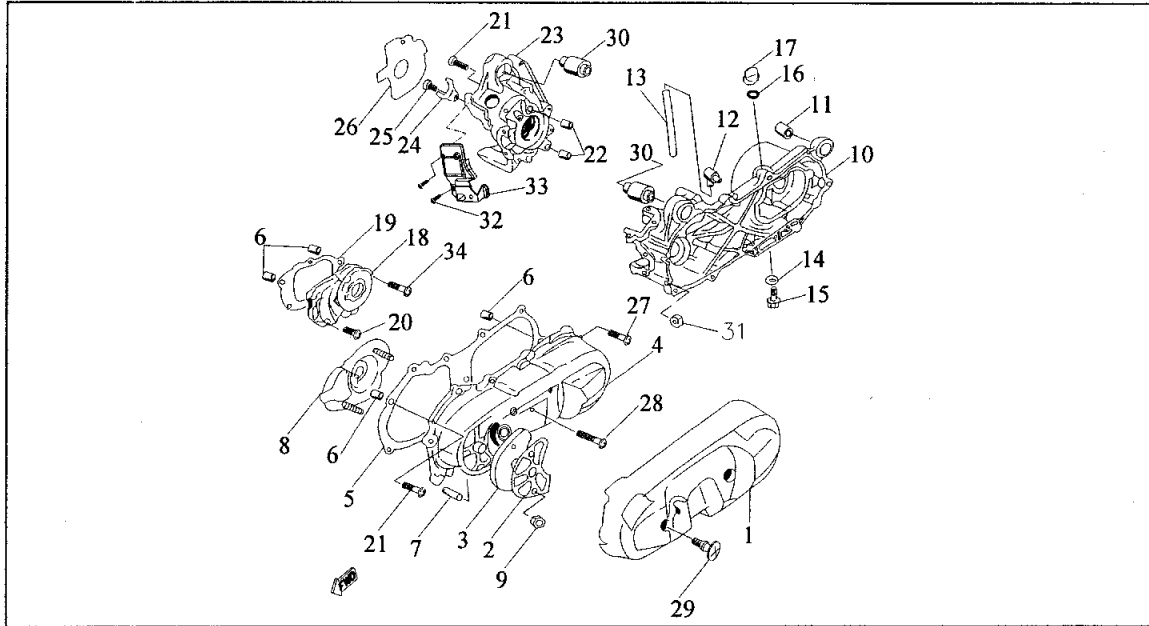
E5 Carburetor



Item	Part No.	Part Name	Spec.	Q'ty
1	16100-A2DL-000	Carburetor Ass'y (manual chock)	PWK24/118/48	1

APEX Motor Corp.

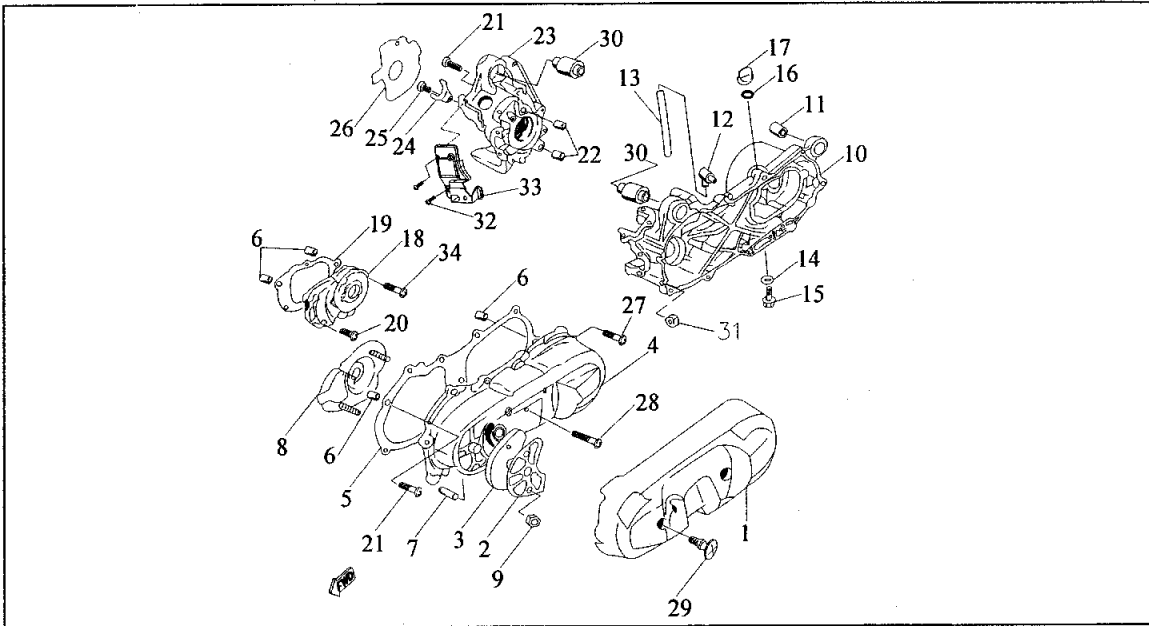
E6 Crankcase



Item	Part No.	Part Name	Spec.	Q'ty
1	11341-A2C4-000	Protector, L. Crankcase Cover		1
2	11342-A2C4-000	Guide, Air Filter		1
3	11343-A2C4-000	Filter Element, L. Crankcase		1
4	11340-A2C4-000	Cover, L. Crankcase		1
5	11395-A2C4-000	Gasket, L. Crankcase		1
6	90703-081014	Pin, Dowel	10x14	4
7	11344-A2C4-000	Shaft	8x31	1
8	11345-A2C4-000	Fixed Plate, Filter Element		1
9	94000-06100	Hex. Acorn Washer Face Nut	M6xP1.0	3
10	11200-A2C4-000	Crankcase, L.		1
11	97350-082021	Bush	8x20x21	1
12	11210-A2C4-000	Breather		1
13	11211-A2C4-000	Hose, Breather	5x100	1
14	90442-081515	Washer, Copper	8x15x1.5	1
15	92100-08016	Hex. Washer Face Bolt	M8x16	1
16	91300-138024	O-Ring	13.8x2.4	1

APEX Motor Corp.

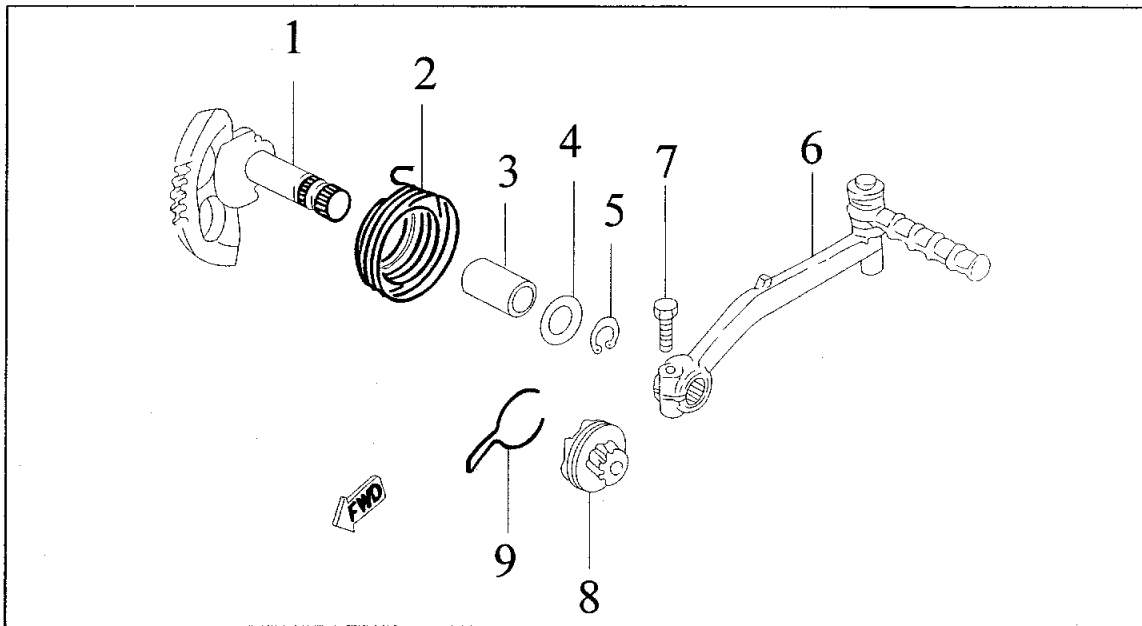
E6 Crankcase



Item	Part No.	Part Name	Spec.	Q'ty
17	11212-A2C4-000	Plug, Oil		1
18	11400-A2C4-000	Cover, Transmission		1
19	11410-A2C4-000	Gasket, Transmission		1
20	91000-06025-05BN	Hex, Socket Bolt	M6x25	3
21	91000-06035	Hex, Socket Bolt	M6x35	8
22	90703-101216	Pin, Dowel	12x16	2
23	11100-A2C4-000	Crankcase, R.		1
24	11110-A2C4-000	Holder		1
25	91000-06010	Hex, Socket Bolt	M6x10	1
26	31121-A2C4-000	Gasket, A.C.G		1
27	91000-06025	Hex, Socket Bolt	M6x25	8
28	91000-06060	Hex, Socket Bolt	M6x60	1
29	11346-A2C4-000	Bolt, Special		2
30	97350-123538	Bush	12x35x38	2
31	17110-A2C4-000	Grommet		2
32	937000-05010	Bolt, Pan Head	M5*P1.0*10	2
33	17211-A2DL-000	Cover, Dust-Proof		1
34	91000-06035-05BN	Hex, Socket Bolt	M6x35	2

APEX Motor Corp.

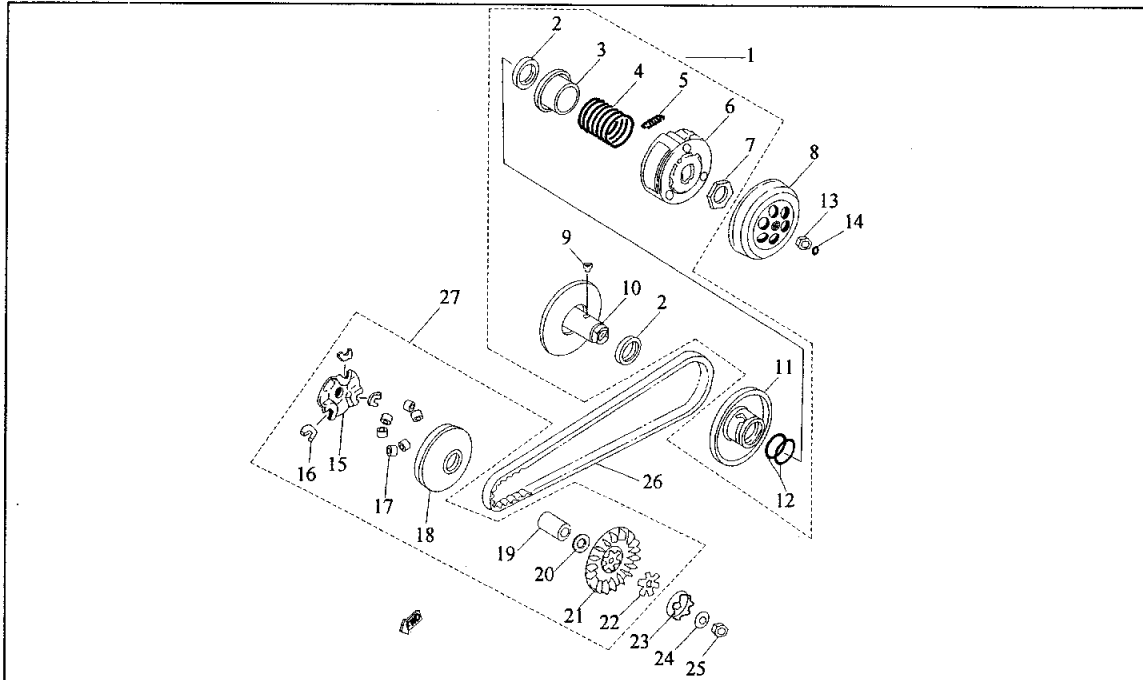
E7 Starter



Item	Part No.	Part Name	Spec.	Q'ty
1	28211-A2C4-000	Kick Shaft Ass'y		1
2	28261-A2C4-000	Spring, Torsion		1
3	28251-A2C4-000	Bush, Kick Shaft	15x20x30	1
4	90426-152810	Washer, Plate	15.2x28x1	1
5	90600-STW15	Circlip	STW-15	1
6	28300-A2C4-000	Kick Camk Ass'y	LBD4	1
7	92101-06022-0G	Hex. Bolt	M6x25	1
8	28221-A2C4-000	Kick Pinion Ass'y		1
9	28222-A2C4-000	Clip, Kick Pinion		1

APEX Motor Corp.

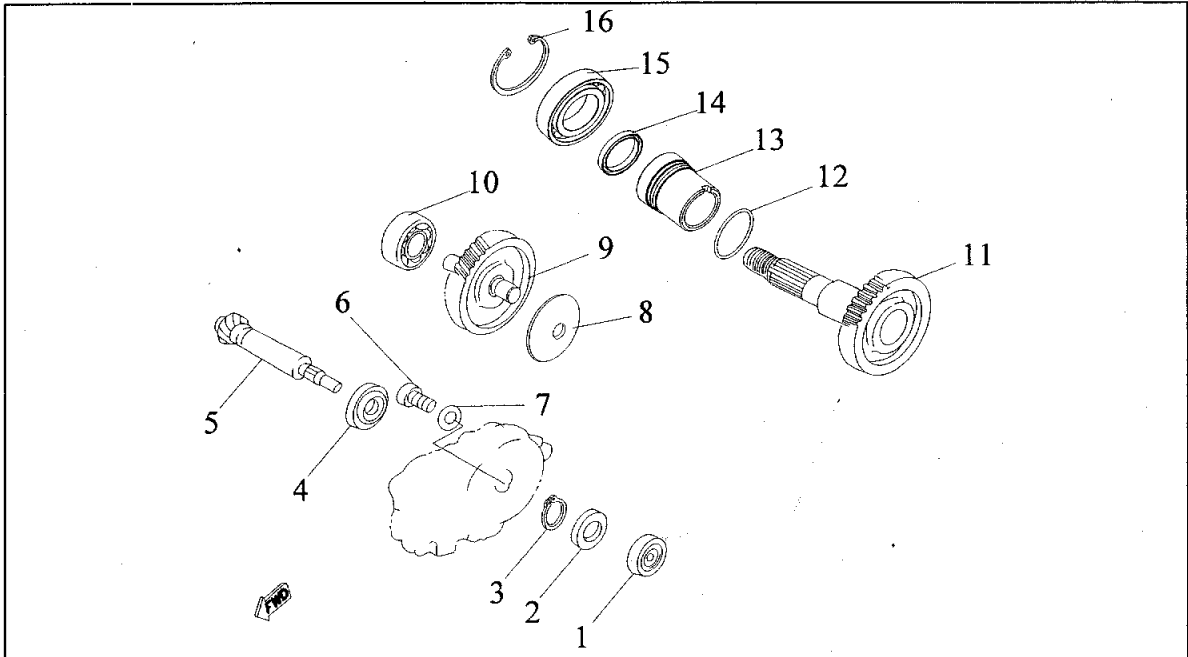
E8 Clutch



Item	Part No.	Part Name	Spec.	Q'ty
1	22300-A2DL-000	Secondary Sheave Ass'y	JOG90	1
2	91200-33394	Seal, Oil		2
3	22311-A2C4-000	Seat, Secondary Spring		1
4	22312-A2C4-2000	Spring, Compression	2000rpm	1
5	22331-JOG-1500	Spring, Clutch Weight	1500rpm	3
6	22330-A2C4-00B	Carrier Ass'y, Clutch	450g	1
7	22332-A2C4-000	Nut, Clutch		1
8	22340-A2C4-000	House, Clutch	JOG	1
9	22313-A2C4-000	Bearing, Ball		2
10	22310-A2C4-000	Fix Sheave Comp., Secondary	JOG	1
11	22320-A2C4-000	Sliding Sheave, Secondary	JOG	1
12	91300-360020	Oil-Ring		2
13	22341-10100	Hex. Acorn Nut	M10xP1.0	1
14	91300-125030	O-Ring	6.45x3.1	1
15	22411-A2C4-000	Plate, Cam	JOG90	1
16	22412-A2C4-000	Slider, Cam Plate	JOG	3
17	22413-A2C4-050	Weight	5.0g (15*12)	6
18	22410-A2C4-00A	Sliding Sheave, Primary	JOG90	1
19	22414-A2C4-000	Collar	16x21x37.5	1
20	22415-A2DL-000	Sliding Sheave Washer, Clam	16x21x1	1
21	22420-A2C4-000	Fixed Sheave, Primary	JOG90	1
22	22421-A2C4-000	Washer, Clam	JOG90	1
23	22422-A2C4-000	Clutch, Oneway		1
24	94111-102426	Washer, Conical Spring	10.5x24x2.6	1
25	94100-10125	Hex. Acorn Nut	M10xP1.25	1
26	22500-A2C4-000	Belt, Drive	780x16.5x30	1
27	22400-A2C4-00E	Sliding Sheave, Ass'y	JOG90	1

APEX Motor Corp.

E9 Transmission

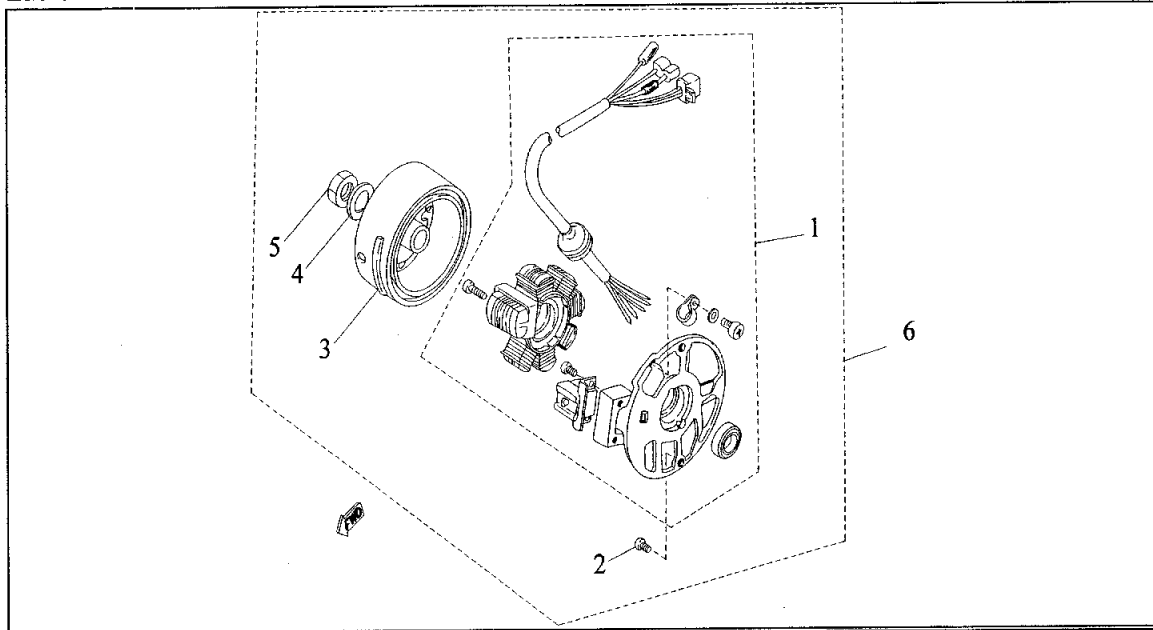


Item	Part No.	Part Name	Spec.	Q'ty
1	96210-638RD	Bearing, Ball	638RD	1
2	91200-172855	Seal, Oil	17x28x5.5	1
3	90500-S17	Circlip	S-17	1
4	96210-6003	Bearing, Ball	6003	1
5	23610-A2C4-000	Drive Gear, Primary	15T	1
6	91000-06010	Hex, Socket Bolt	M6x10	1
7	90426-061912	Washer, Plate	6.5x19x1.2	1
8	94111-126005	Washer, Conical Spring	12.3x60x0.5	1
9	23620-A2C4-000	Main Axle Comp.	11/47T	1
10	96210-6201	Bearing, Ball	6201	1
11	23630-A2C4-000	Gear, Driven	31T	1
12	91300-032018	O-Ring	32x1.8	1
13	11350-A2DL-000	Copper Bushing		1
14	91200-253240	Seal, Oil	25x32x4	1
15	96210-6004LU	Bearing, Ball	6004LU	1
16	90500-RTW42	Circlip	RTW-42	1

* ones that break

APEX Motor Corp.

E10 Generator

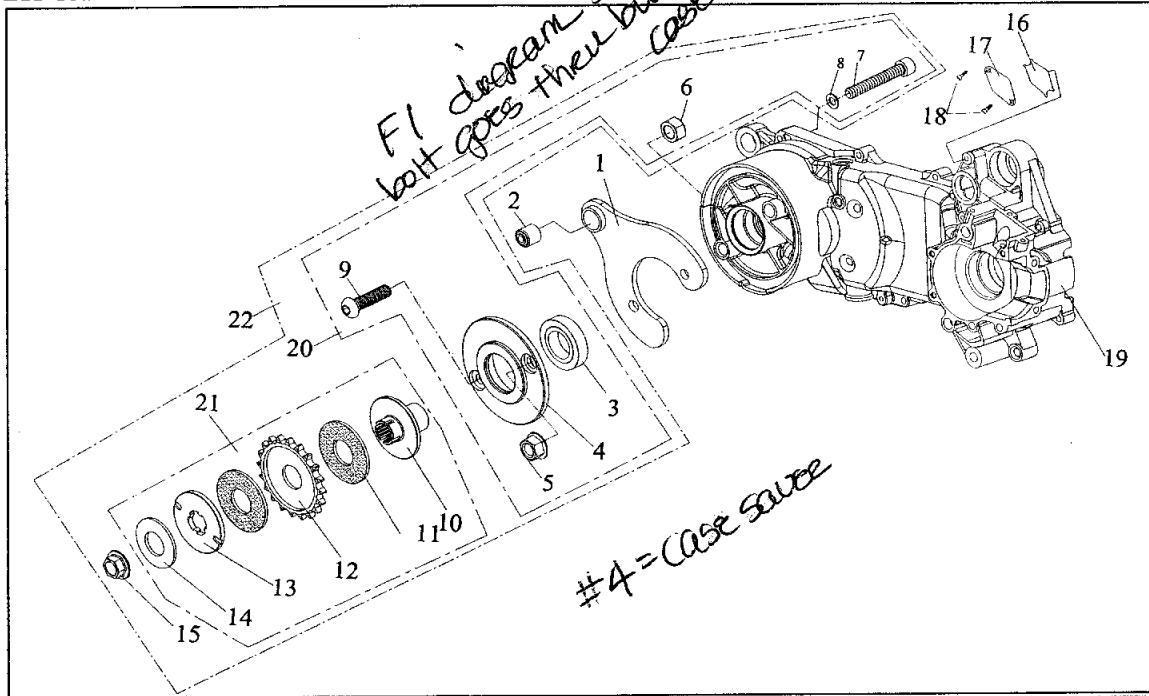


Item	Part No.	Part Name	Spec.	Q'ty
1	31120-A2C4-00A	Base Ass'y, Generator		1
2	91000-06015	Hex, Socket Bolt	M6x15	2
3	31100-A2C4-000	Wheel, Fly		1
4	90426-122216	Washer, Plate	12x22x1.6	1
5	94100-12125	Hex. Acorm Nut	M12xP1.25	1
6	31000-A2C4-00A	Generator Ass'y		1

→ ~~31120-A2C4-00A~~ Stator Base
 per GB 4/6

APEX Motor Corp

E11 Crankcase Bracket



Item	Part No.	Part Name	Spec.	Q'ty
1	11347-A2C4-00A	Bracket, Crankcase		1
2	97350-082021	Bush	8x20x21	1
3	96210-6028	Bearing, Ball	#60/28	1
4	11349-A2DL-00A	Gear Holder		1
5	94001-10A14-08	Nut, Hex. Acom Washer Face	M10xP1.25	1
6	NU-12019-C	Nut, Insert Lock	M12xP1.75	1
7	91000-10060-28L	Hex, Socket Bolt	M10x60	1
8	90442-101515	Washer, Copper	10.2*15*1.5	1
9	PZB340-120450-0C	Hex, Socket Bolt	M12x45	1
10	23804-A2B-002	Sprocket Holder	18T	1
11	23805-A2B-001	Brake Pad		2
12	23801-A2B-00C1	Sprocket	20T	1
13	23802-A2B-000	Friction Plate		1
14	94106-23051-04	Spring Washer	23*50.8*4	1
* 15	94053-14-32B	Nut	M14xP1.5	1
16	31210-A2DL-000	Gasket, fixed Plate		1
17	31211-A2C4-000	Plate, Fixed		1
18	91000-06020	Hex. Socket Bolt	M6x20	2
19	11200-A2C4-000	Crankcase, L.		1
20	11349-A2DL-A00	Gear Holder Ass'y		1
21	A23801-A2B-000	Sprocket, Ass'y		1
22	A23800-A2DL-000	Gear Clutch Ass'y		1

* 15 * Slipper sprocket nut